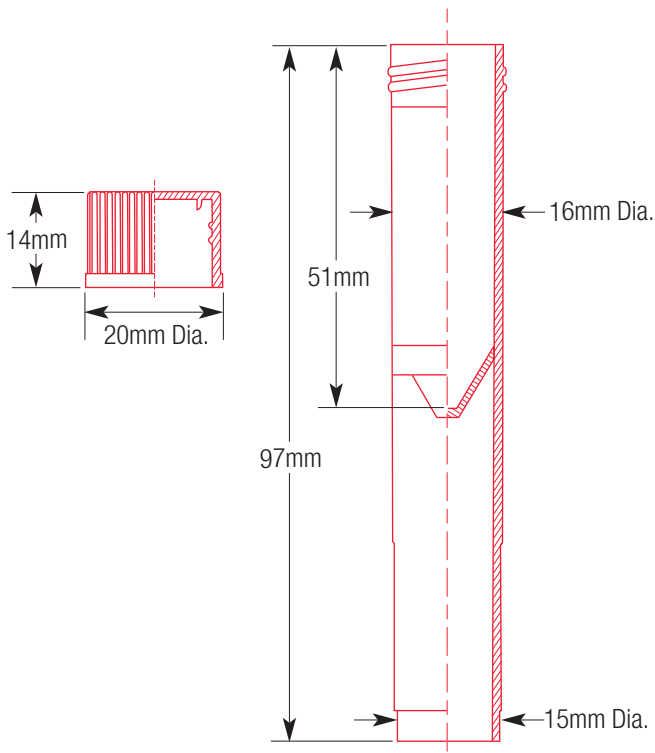
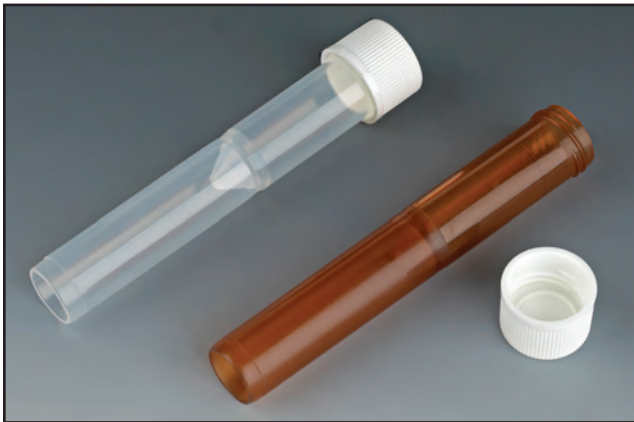


5mL False Bottom Tubes with Separate Screw Cap

Item# 5527 / 5527B / 5527AM / 5528 / 5528B



Description

Globe Scientific's false bottom tubes are ideal for use as a secondary tube for barcoding on automated analyzers.

Popular analyzers include Hitachi[®], Olympus[®], Corning[®], Ortho[®], Kodak[®], Beckman[®], IA[®], Tosoh[®], Vitros[®] and more.

These polypropylene tubes are resistant to most chemical reagents and can be autoclaved at 121°C.

Features

- 5mL capacity tubes available in natural or amber
- Polypropylene (PP) vials and cap
- Screwcap (sold separately)
- Conical false bottom
- Self-standing
- Non-graduated

Products

Item#	Description	Unit
5527	5mL false bottom tube, PP, natural	1000
5527B	5mL false bottom tube, PP, natural	1500
5527AM	5mL false bottom tube, PP, amber	1500
5528	White screw cap	1000
5528B	White screw cap	1500

Technical Specifications

Material: Tube: Polypropylene (PP)
 Cap: Polypropylene (PP)
 Autoclavable: Yes. 121°C for 20 minutes with cap removed
 Brittleness temperature: 0°C
 Maximum temperature: 135°C
 Sterility: Non-sterile

Note: All instruments and names of manufacturers mentioned herein are the trademarks of their respective companies and are used for reference purposes only. Globe Scientific Inc. expressly disclaims any affiliation to them.